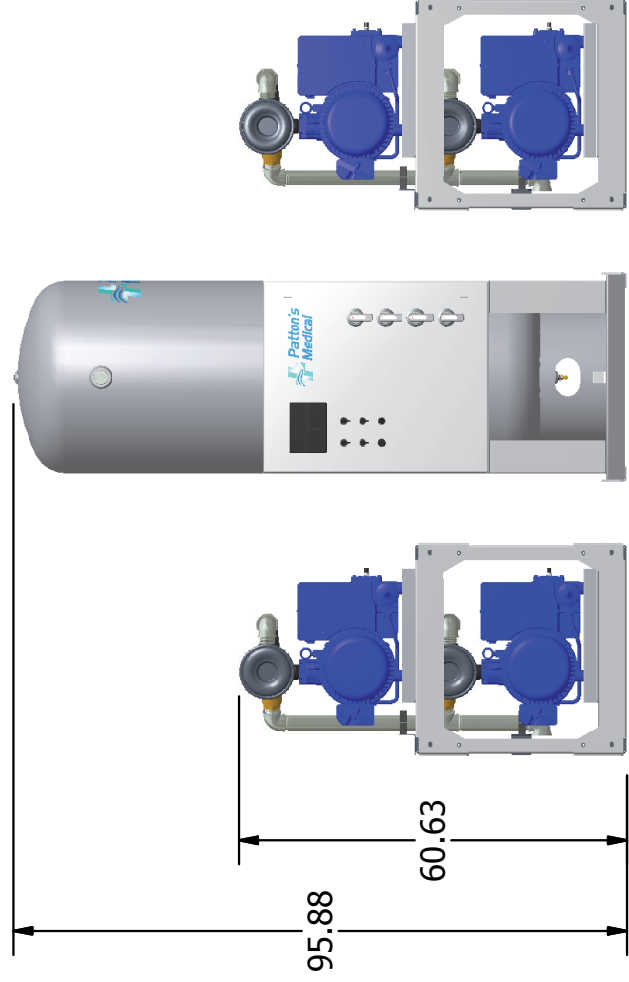
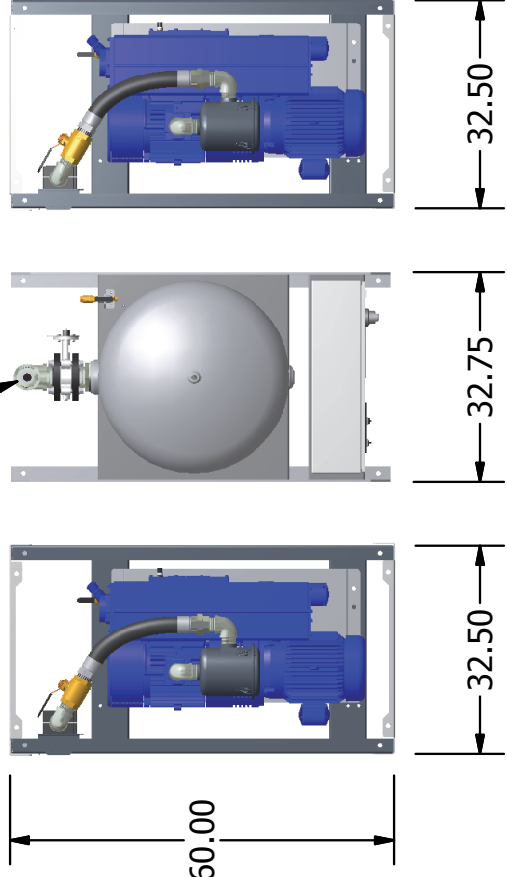


3" NPT INTAKE CONN



200 GALLON RECEIVER  
W/ 3 VALVE BY-PASS

QPX CONTROL PANEL  
W/ HMI DISPLAY

INTAKE FILTER  
(PER PUMP)

INTAKE FLEX HOSE  
W/ ISOLATION VALVE  
(PER PUMP)

1/2" NPT DRAIN

2" NPT DISCH CONN  
W/ TEMP SWITCH  
(PER PUMP)

