

Console Outlet, DISS Type

General Specifications:

The DISS (Diameter Index Safety System) medical gas console outlet shall be Pattons Medical O1 series. The DISS outlets are gas specific and will only mate with the corresponding DISS adapters. The outlet shall be UL® Listed, NFPA® 99 compliant, cleaned for medical gas service, and pressure tested. Each outlet shall have less than 3 psi (21 kPa) pressure drop through the outlet at 120 L/min and 50 psi (345 kPa) inlet pressure. For outlets providing positive pressure gas, the outlet shall be equipped with a primary and secondary check valve. The secondary check valve shall be rated for 200 psi (1,379 kPa), allowing the primary check valve to be removed from service without isolating the entire zone.

The console outlets shall have a gas specific back body which can accommodate up to a 3/4" (19mm) plate. Each back body shall be equipped with a 6-1/2" (165 mm) length of type "k" copper pipe which is brazed to the outlet body. The outside diameter of the copper pipe stub shall be 1/2" (12.7 mm). The inlet pipe can be swiveled 360° for ease of installation.

Outlet bodies shall be gas specific by means of a gas specific indexing pin arrangement. The indexing pins shall be arranged in such a way as to connect the latch-valve assembly only with the specific matching gas back body, preventing interchangeability of gas services.

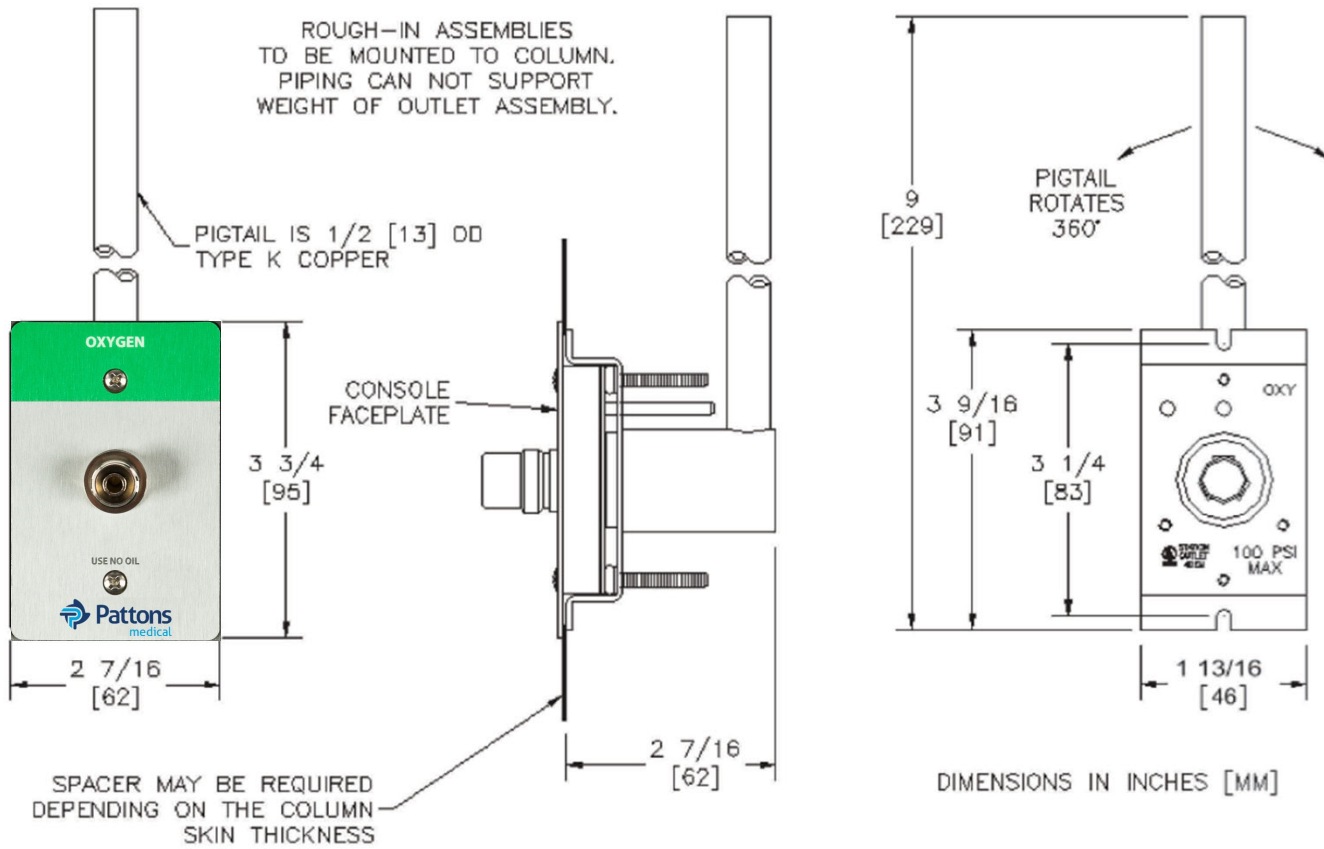
The latch-valve assembly, which by means of color coding and wording, shall identify the specific medical gas service provided by the outlet and shall only accept the gas specific DISS mate adapter.

Features:

- Color coding and labeling to identify a specific medical gas
- Pin indexed to the corresponding rough-in to prevent interchangeability of gas service
- UL listed and NFPA 99 compliant
- Cleaned for medical gas service and pressure tested
- Inlet pipe can be swiveled 360 degrees for ease of installation
- Inlet pipe stub is 6-1/2" (165mm) long, type "k" copper with 1/2" (13mm) OD
- Equipped with a primary and secondary check valve, so primary check valve can be replaced without isolating entire zone
- Gas specific back body that can accept Quick Connect or DISS front body
- Less than 3 psi (21 kPa) pressure drop through the outlet at 120 L/min and 50 psi (345 kPa) inlet pressure
- Outlet can accommodate wall thicknesses up to 3/4" (19mm)
- Non-Ferrous outlets are also available



Technical Specifications:



Model Numbers:

(Below number includes Back Body, Front Body, and Trim Plate)

O1-DICON-XXX-X

CON: Console Outlet
CONM: Non-Ferrous Console Outlet

OXY: Oxygen
AIR: Medical Air
VAC: Medical Vac
N2O: Nitrous Oxide
NIT: Nitrogen
CO2: Carbon Dioxide
WAG:WAGD
IA: Instrument Air

N: Cycloxy®
C: Chrome
S: Satin

Individual Pieces:

- Back Body: O1-BAKCON-XXX
- Front Body/Latch Valve: O1-FBDI-XXX
- Trim Plate: O1-TRIM275-X