

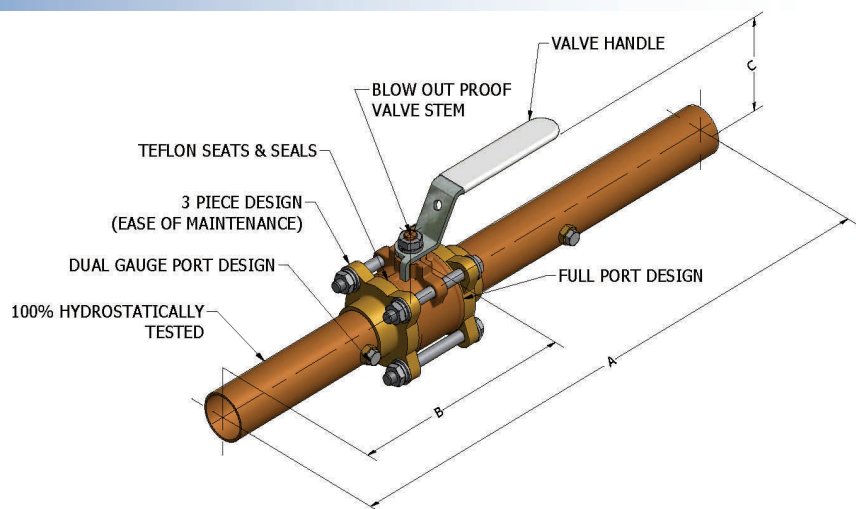
Zone Valves

General Specifications:

- Ball type with full port design
- Bronze/Brass body and chrome-plated brass ball
- Three piece design with double seals
- 1/4 turn handle operates open to closed position
- Valve is serviceable in the line
- Supplied clean and prepared for oxygen use per CGA G-4.1
- Capped

Features:

- Teflon material ball seats and stem seals
- Lubricants and valve materials are compatible with USP oxygen, nitrous oxide, medical air, carbon dioxide, helium, nitrogen and mixtures thereof
- Continuous pressure of up to 600 psig and vacuum service to 29" Hg
- Type K copper tube extensions for connections on the pipeline



Zone Valves						
Part Number	Valve Size (Nominal)	O.D.	A	B	C	Bolt Pattern
PM-ZV-G-05	1/2"	5/8"	21.00	7.87	1.69	4 Bolt
PM-ZV-G-07	3/4"	7/8"		8.25	1.89	
PM-ZV-G-10	1"	1-1/8"		8.58	2.05	
PM-ZV-G-12	1-1/4"	1-3/8"		8.75	2.56	
PM-ZV-G-15	1-1/2"	1-5/8"		8.87	2.72	
PM-ZV-G-20	2"	2-1/8"		10.87	3.15	
PM-ZV-G-25	2-1/2"	2-5/8"	32.0	16.00	4.29	6 Bolt
PM-ZV-G-30	3"	3-1/8"			4.61	