

Ceiling Column Outlets

General Specifications:

The medical gas ceiling column outlet shall be Patton's Medical O1 series. The outlet shall be UL® Listed, NFPA® 99 compliant, cleaned for medical gas service and be pressure tested. Each outlet shall have less than 3 psi (21 kPa) pressure drop through the outlet @ 120 L/min, and 50 psi (345 kPa) inlet pressure. For outlets providing positive pressure gas, the outlet shall be equipped with a primary and secondary check valve, the secondary check valve shall be rated for 200 psi (1,379 kPa) allowing the primary check valve to be removed for service without isolating the entire zone.

The ceiling column outlets shall have a gas specific back body which can accommodate up to a 3/4" (19 mm) plate. Each back body shall be equipped with a 6-1/2" (165 mm) length type "k" copper pipe stub which is brazed to the outlet body. The outside diameter of the copper pipe stub shall be 1/2" (12.7 mm). The body shall be 1-5/16" (33 mm) diameter one piece brass construction.

Outlet bodies shall be gas specific by means of a gas specific indexing pin arrangement. The indexing pins shall be arranged in such a way as to connect the latch-valve assembly only with the specific matching gas back body, preventing interchangeability of gas services.

The latch-valve assembly, which by means of color coding and wording shall identify the specific medical gas service provided by the outlet and shall accept gas specific adapters.

Equipment is manufactured in an ISO® 9001 registered facility.

Features:

- Accepts Chemetron®, Diamond, Puritan Bennett® and DISS specific adapters
- Pin indexed to prevent interchangeability of gas service
- Each outlet is cleaned for medical gas service and pressure tested
- Less than 3 psi (21 kPa) pressure drop through the outlet at 120 L/min and 50 psi (345 kPa) inlet pressure
- Gas specific back bodies can accept either Quick Connect or DISS front identification bodies
- Outlets can be adjusted up to 3/4" (19 mm) in mounting plate thickness
- Adapters are available from Patton's Medical
- Outlets are also available for M.R.I. use

Diamond Compatible Ceiling Column Outlet Shown



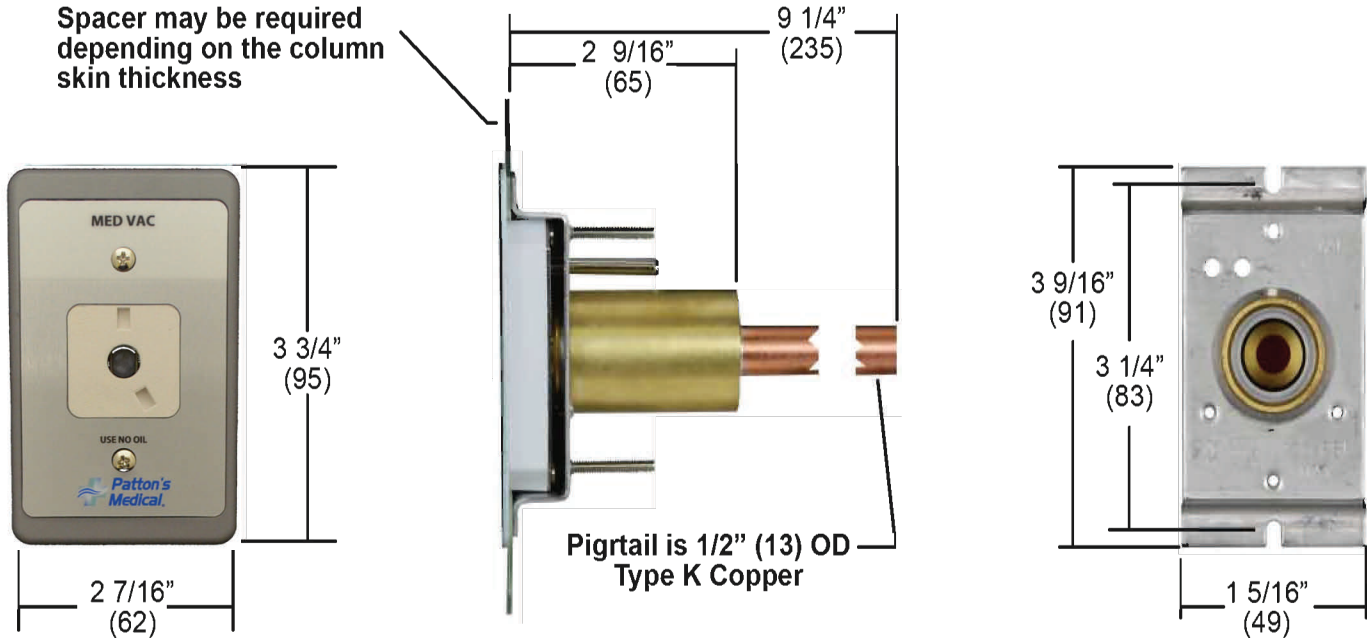
*Rebuild kits Available



Technical Specifications:

Diamond Compatible

Rough-in assemblies to be mounted to column. Piping can not support weight of outlet assembly.



Dimensions in Inches (mm)

Model Numbers

Example: D.I.S.S Ceiling Column Air NFPA = O1-DICOL-AIR-N

O1-XXCOL-XXX-X

The Letter "XX" Defines the Type:

- D.I.S.S = DI
- Ohmeda = QD
- Chemerton = CH
- Puritan Bennett = PB

The Letter "X" Defines the Type:

- Cycology = N

The Letter "XXX" Defines the Type of Gases:

- Oxygen = OXY
- Medical Air = AIR
- MedVac = VAC
- Nitrous Oxide = N2O
- Nitrogen = NIT
- Carbon Dioxide = CO2
- WAGD (NFPA) = WAG
- Instrument Air = IA
- (DISS Only)

M.R.I. Model Numbers

O1-XXCOLM-XXX-X

M = M.R.I. Compatible

Example: D.I.S.S Ceiling Column Air NFPA (M.R.I.) = O1-DICOLM-AIR-N