

Pressure Switch for Reserve Manifold

General Specifications:

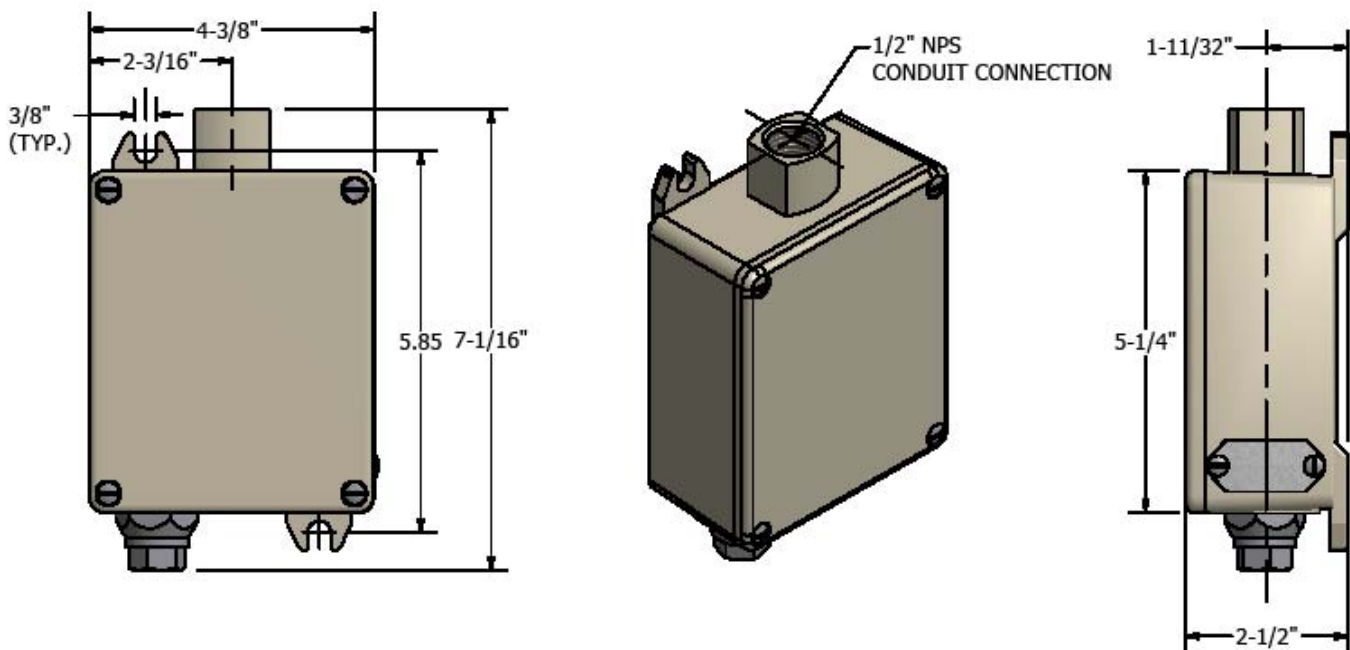
The Reserve Manifold Pressure Switch is used for monitoring the supply pressure in the reserve system. The switch is preset @ 1,100 psi [7,585 kPa] decreasing pressure, to alarm before the reserve header contents fall to one day's average supply, indicating reserve as low as per NFPA and CSA.

Electrical Characteristics: The electrical rating (continuous inductive) 10 amps 125 or 250 volts AC, 3 amps 480 volts AC. Automatically reset by snap-action of switch.

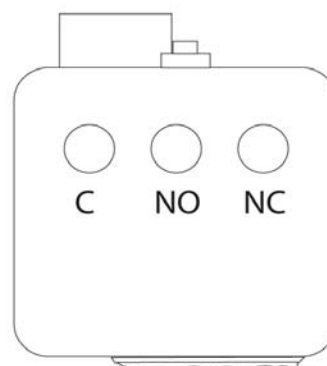
Electrical Connection: Normally open/normally closed contacts. Electrical connections are made through a 1/2" conduit connection to screw terminals on the switch. Pressure connection: 1/4" NPT.

Adjustment Instructions: Turn adjustment screw clockwise to lower actuation point (switch setting).

The switch enclosure shall be a Nema 4 water tight housing with mounting bracket, 1/4" FNPT bottom inlet gas service line connection and a 1/2" conduit connection on the top.



Pressure Switches	
M1-PRSW-N-RES-OXY	Oxygen
M1-PRSW-N-RES-AIR	Air
M1-PRSW-N-RES-N2O	Nitrous Oxide
M1-PRSW-N-RES-CO2	Carbon Dioxide
M1-PRSW-N-RES-NIT	Nitrogen



Pressure Switch Connection

C = Common
 NO = Normally Open
 NC = Normally Closed

Statement of Warranty

Patton's Medical warrants all Products, to be free of defects in material and workmanship under normal use for a period not to exceed twenty-four (24) months from date of shipment.