

Pressure Switch With Gauge - Helium

General Specifications:

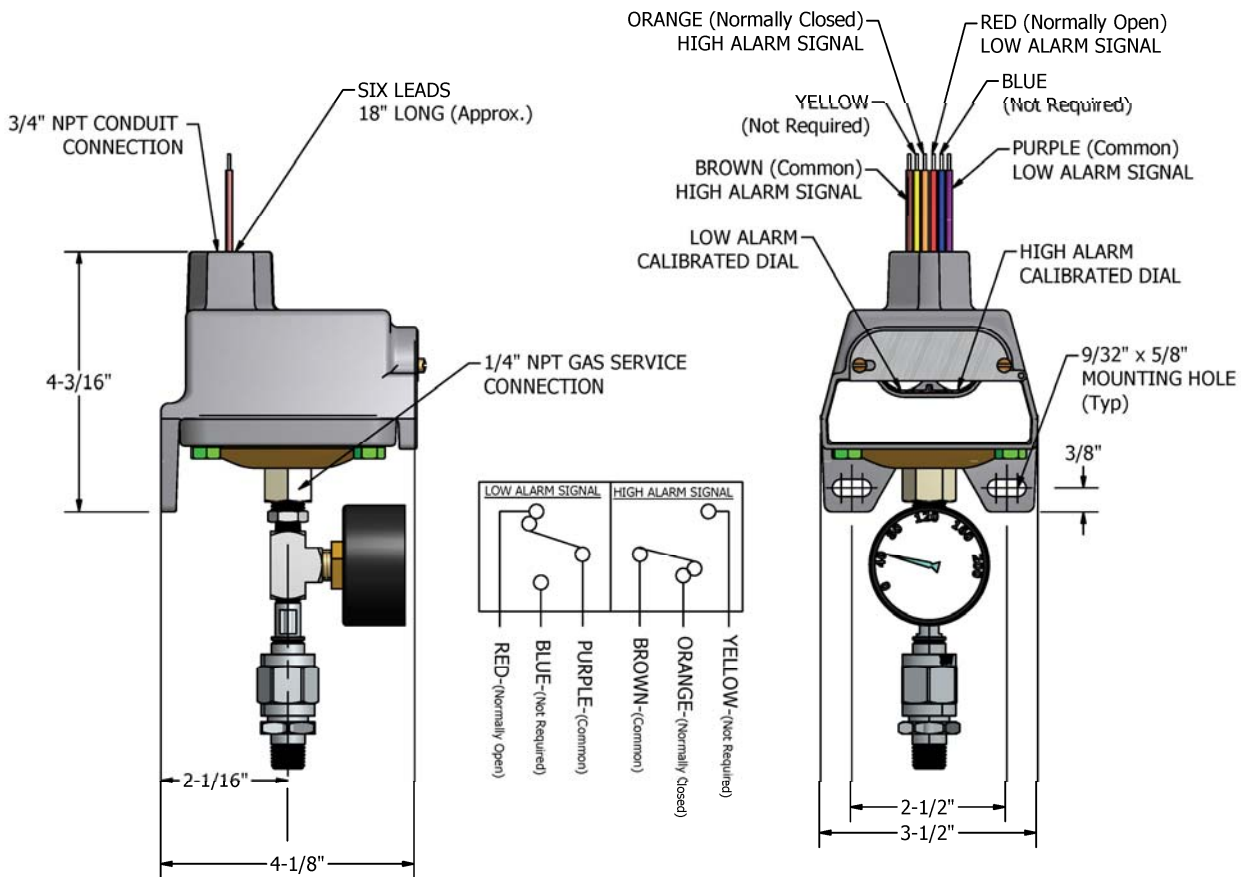
The Pressure Switch Gauge Assembly for the medical gas alarm system will incorporate a U.L. Listed single pole double throw snap-action micro switch. The pressure switch will be prewired with six color coded leads. Normally open or Normally closed circuitry will be field-selected to be compatible with the medical gas alarm design. Electrical rating will be 10 amps at 120 volt AC.

The pressure switch will be tested at 160 psi with an adjustable range of .5 to 80 psi and have external calibration dials with tamper-proof cover. Factory settings will be 40 psi and 60 psi for pressure gases.

The switch enclosure will have a Nema 4 water tight housing with mounting bracket, 1/4" FNPT bottom inlet gas service line connection, and 3/4" FNPT top inlet conduit.

A pressure gauge with 2" dial will be incorporated after the pressure switch. A gas specific DISS nut and nipple will be attached to the gauge.

The Pressure Switch Gauge Assembly will then be mounted directly to a gas specific DISS demand check onto the pipeline. The demand check will have a 1/4" Male NPT connection.



Pressure Switch Gauge Assembly	
M1-PRSW-G-HEL	Helium