

# specifications

The medical gas outlet shall be an Amico Alert-1 series.

Outlets shall be manufactured with a 6 - 1/2" [165 mm] length type "K" 1/2" [12.7 mm] outside diameter (3/8" nominal) size copper inlet pipe stub which is silver brazed to the outlet body. The body shall be of 1 - 5/16" [33 mm] diameter, one piece brass construction. For positive pressure gas services, the outlet shall be equipped with a primary and secondary check valve and the secondary check valve shall be rated at a maximum of 200 psi [1,379 kPa] in the event the primary check valve is removed for maintenance. Outlet bodies shall be gas specific by indexing each gas service to a gas specific dual pin indexing arrangement on the respective identification module.

A large color coded front plate shall be used for ease of gas identification and aesthetic appeal.

With the back rough-in mounted, the outlet shall adjust from 3/8" [10 mm] up to 1" [25 mm] variation in mounting plate thickness.

The latch-valve assembly shall be Oxequip / Medstar type and only accept corresponding Oxequip / Medstar type gas specific adapters.

All outlets shall be cleaned and degreased for medical gas service, factory assembled and tested.

Amico products comply with NFPA-99.



# features

- Flow rate exceeds the requirements of NFPA
- Accepts only Oxequip / Medstar gas specific adapters
- 100 % Hydrostatic testing of each outlet and cleaned for medical gas service
- Indexed to eliminate interchangeability of gas services
- Up to 1" [ 25 mm ] mounting plate thickness adjustment
- 360° swivel inlet pipe for easy installation

project

---

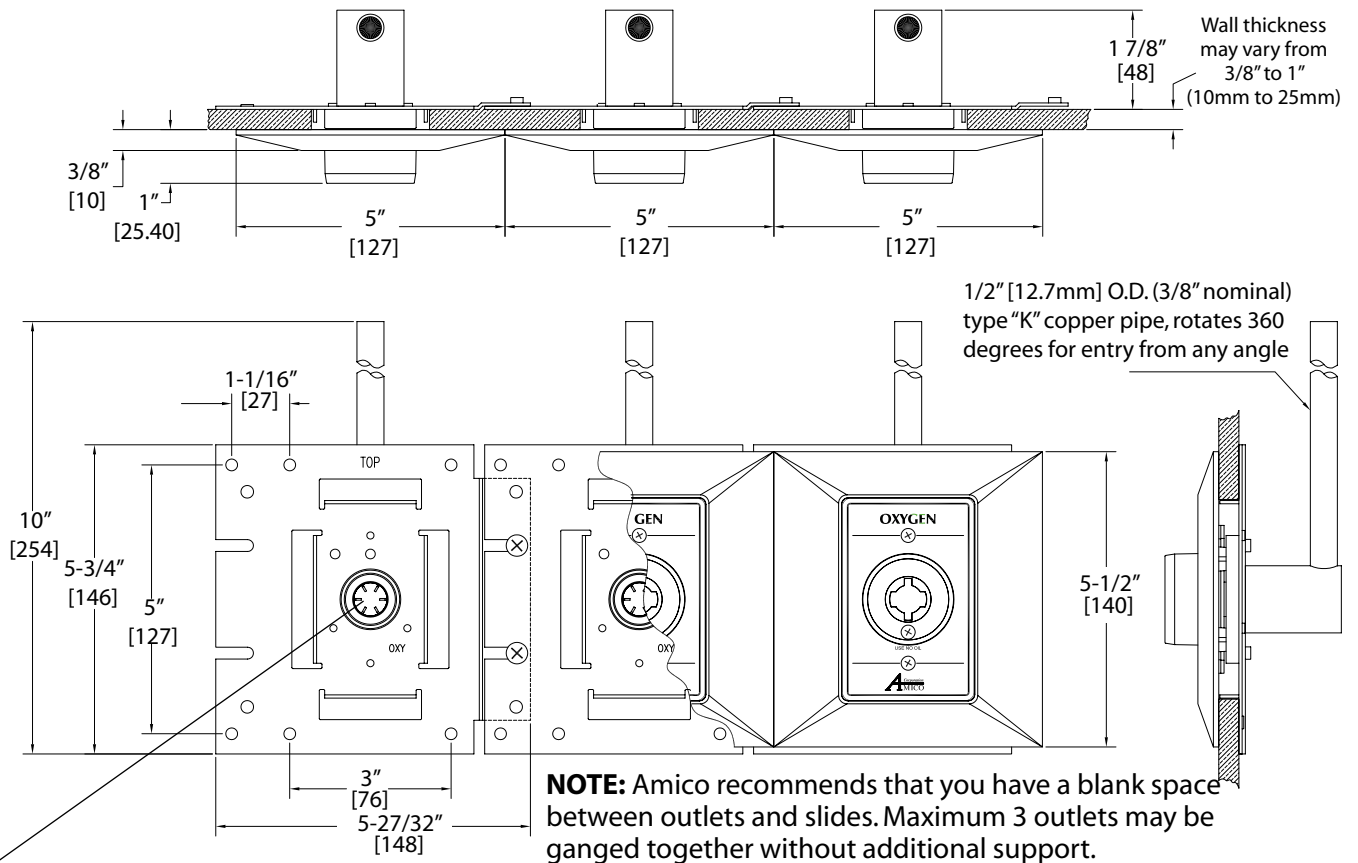


---



---

Inch  
[mm]



<sup>1</sup>NOTE: For CSA/ISO, suction inlets are not supplied with a secondary check valve. A pressure plug is provided for testing purposes, rated at 150 psi [1,034 kPa].

## model numbers

Front Latch Valve:

**O-FASC-OX-L-XXX**

Wall Assembly:

**O-OXWAL-L-XXX**

The L defines the language:

- U = English (NFPA)\*  
Oxygen, Medical Air, and  
Medical Vacuum
- E = English (CSA/ISO)
- F = French (CSA/ISO)

The XXX defines the gas:

- OXY = Oxygen
- AIR = Medical Air
- VAC = MedVac<sup>1</sup>
- CO2 = Carbon Dioxide
- N2O = Nitrous Oxide
- WAG = Waste Anesthetic  
Gas Disposal (NFPA)
- AGS = Anesthetic Gas Scavenging  
System<sup>1</sup> (CSA)

<sup>1</sup>Please see note above

represented by: